

# SAiGE

Composite Products

## Subframe System installation guide 2021

V.1 JANUARY 2021



# The High Strength, High Specification system for peace of mind.

The SAiGE Subframe system offers a completely wood free solution suitable for both commercial and residential projects.

It's easy to install whilst offering maximum strength and durability.

Please ensure installation is followed as per the installation guides provided. For SAiGE Decking installation please refer to the SAiGE Decking installation guides, these can be found on our website, [www.compositedecking.co.uk](http://www.compositedecking.co.uk)

For any further information or advice do not hesitate to contact a member of the SAiGE team on: [+44 \(0\) 1789 721 576](tel:+441789721576) or email: [info@saigedecking.com](mailto:info@saigedecking.com)

## Notes

---

---

---

---

---

---

---

---



### Frame using pedestals



Corner brackets



Frame starts 15mm away from wall

250mm centres

300-400mm centres

30mm gap

300-400mm centres

250mm centres

30mm spacing on double joists when using pedestals



Double joists

Corner brackets (both sides)

Frame supports every 1.8m  
Connect to joist with corner brackets each side

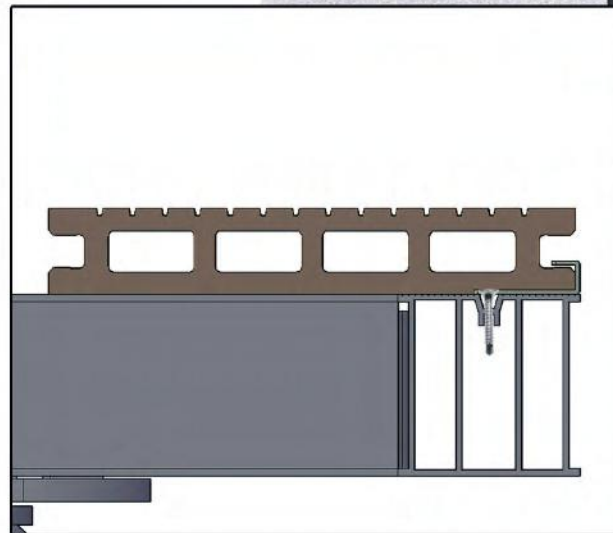
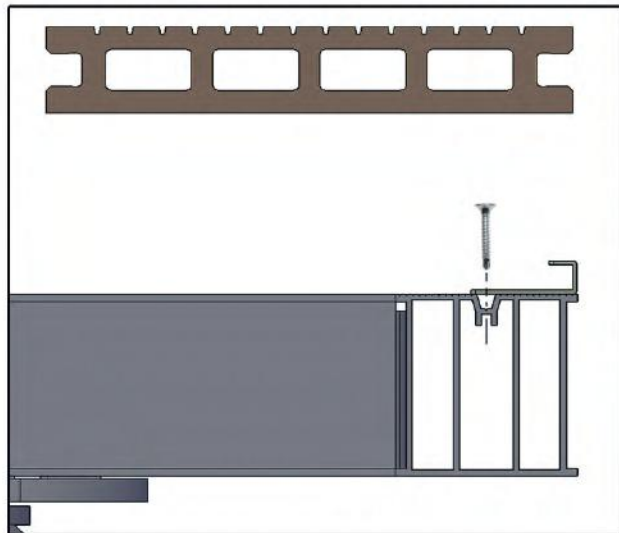
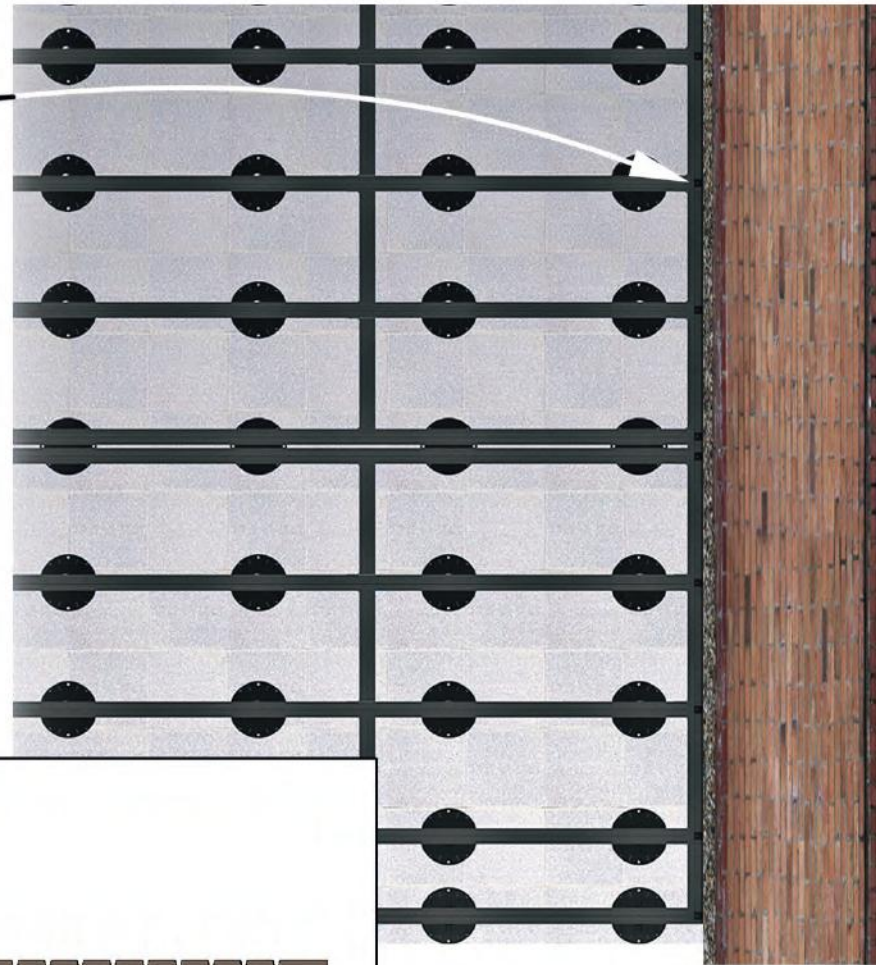
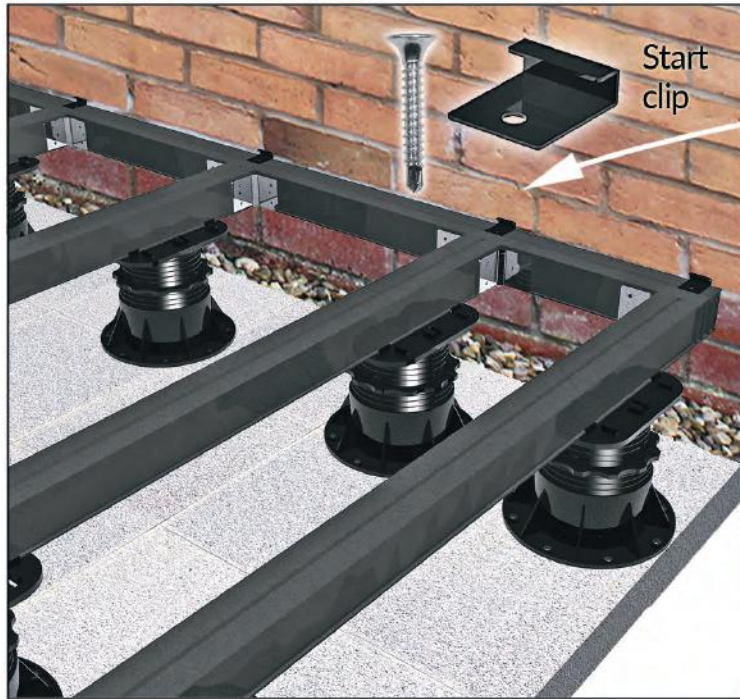
Joining plates (one each side of joist)

100mm air flow must be allowed on at least two faces



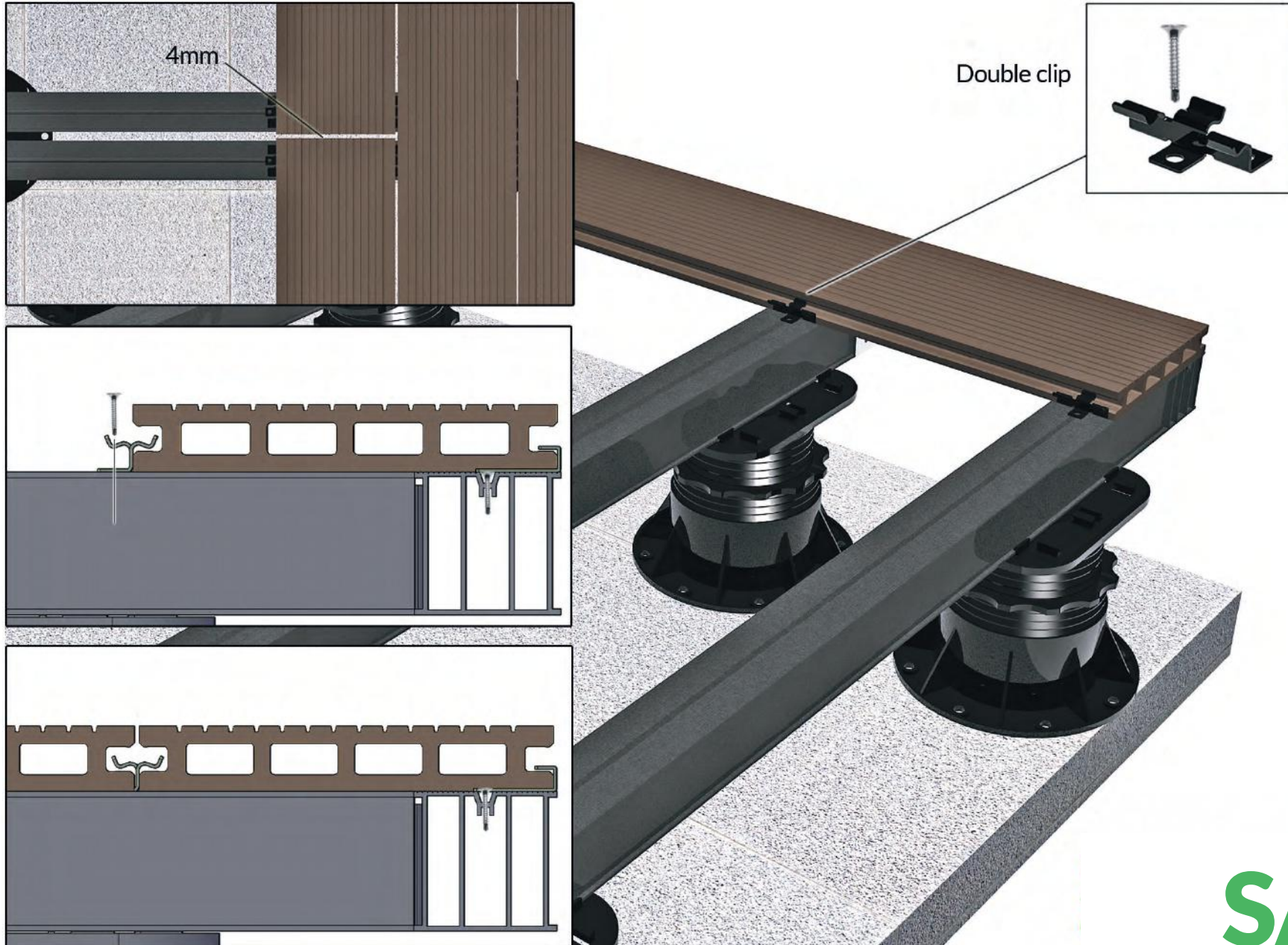


### Strip assembly 1



**SAiGE**  
Composite Products

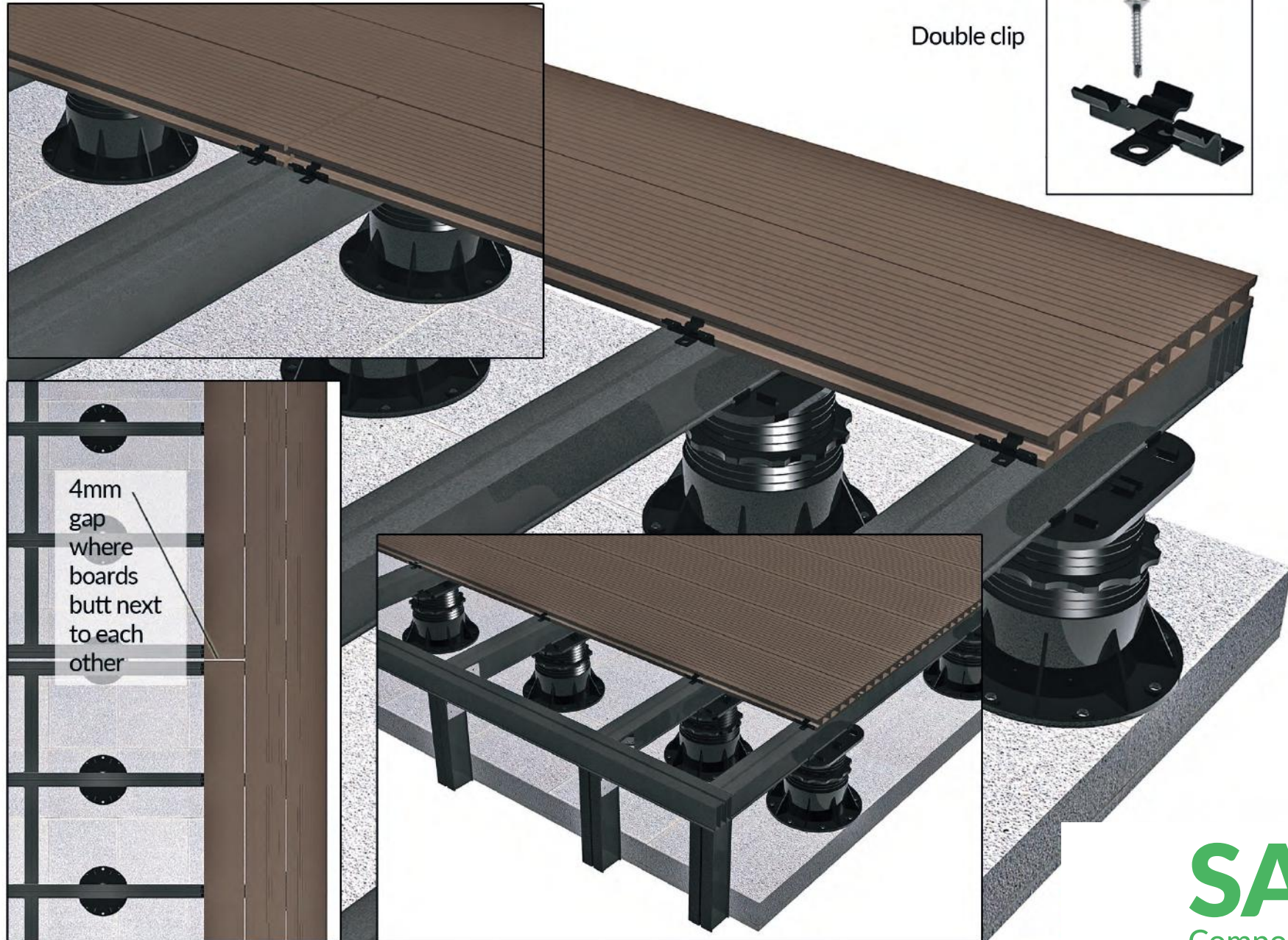
## Strip assembly 2



**SAiGE**  
Composite Products

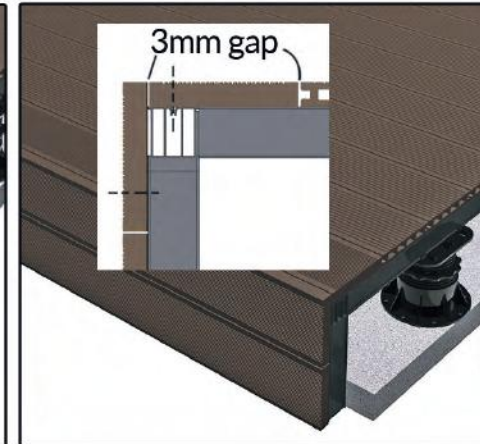
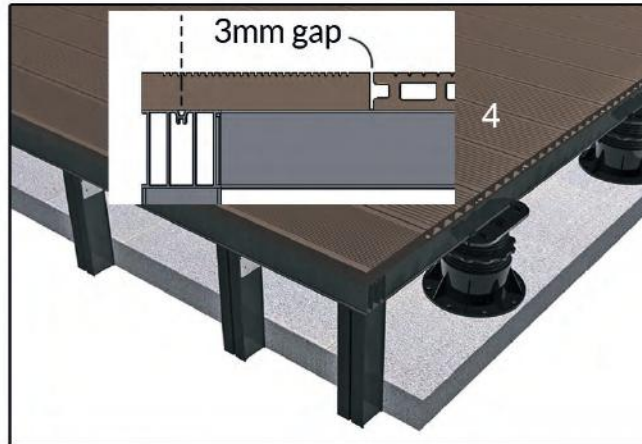
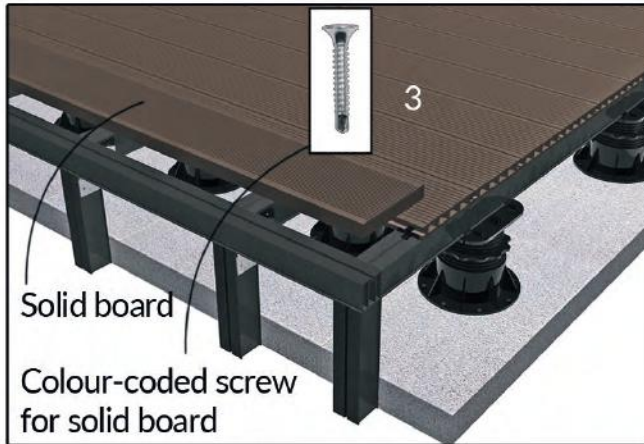
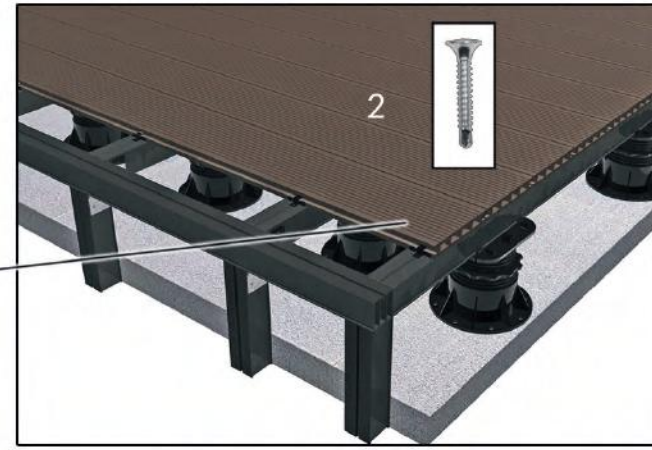


### Strip assembly 3





## Final assembly





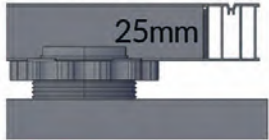
**SAiGE**  
Composite Products



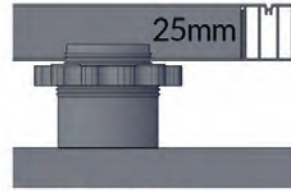


**SAiGE**  
Composite Products

Frame using small and large cradles



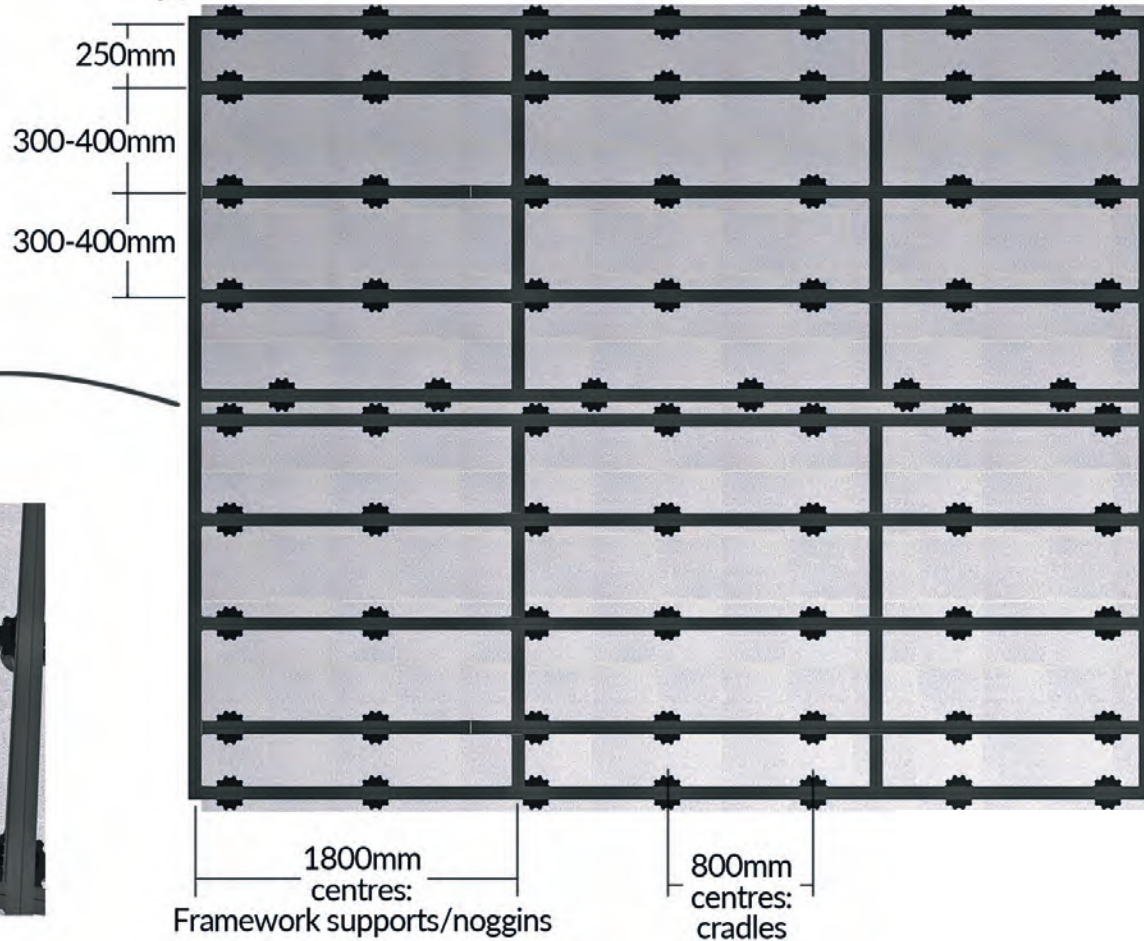
Small Cradle:  
43-67mm (incl. 25mm joist)  
68-92mm (incl. 50mm joist)



Large Cradle:  
87-112mm (incl. 25mm joist)  
112-137mm (incl. 50mm joist)



- Corner brackets
- Orientation
- Uneven surface bearers:  
Same as for pedestal  
installation



Spacing for  
double joists  
on cradles: 50mm





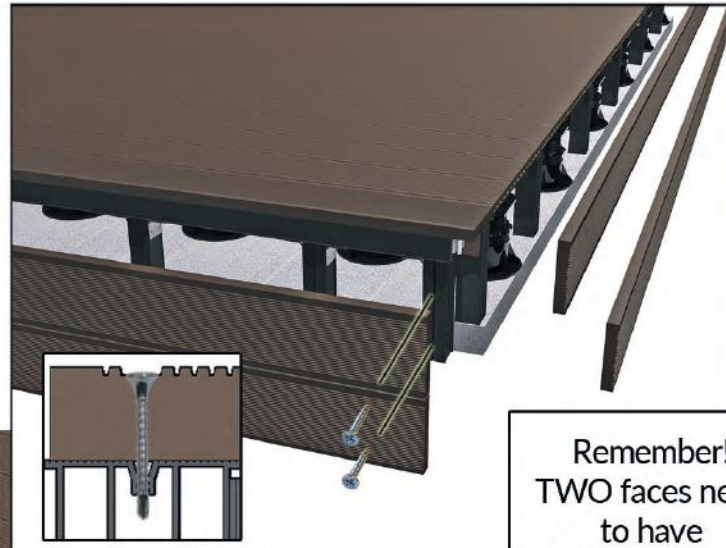
## Optional Fascia finish



Additional uprights to act as spacers



NOTE!  
Bases of pedestals may need trimming



Remember!  
TWO faces need to have  
100mm air gap

**SAiGE**  
Composite Products

# SAiGE Subframe System - Installation guide with Cradles & Pedestals

1. Lay the main joists in the opposite direction to decking spaced at:

- First and last joist spaces = 250mm centres
- General joist spacing = 300mm – 400mm centres
- Where boards join leave approx. 10mm gap between joists – ensure joists align to fit cradles underneath where double joists are placed before securing frame – see diagram on page 9

If creating a border with SAiGE Solid boards, place additional joists vertically on either side of the frame to the width of SAiGE solid board and then space first and last joist at 250mm. Cradles can be staggered either side along the joist.

2. Place an adjustable cradle / pedestal at each end of the joist, including double joists, to ensure correct spacing is left between them before connecting framework with applicable connecting brackets.

3. Place and adjust the cradles to level up the substructure as per guidelines below.

**Cradles/Pedestals must be spaced as follows:**

- For 25mm joist substructure - 800mm along the joist
- For 50mm joist substructure – 800-1000mm along the joist

4. Connect main joists lengths together end-on-end using SAiGE flat connector brackets and SAiGE screws provided.

- Leave a 4mm expansion gap between all joist profiles

5. Lay perimeter joists horizontally to the main joists at the ends and connect lengths together where applicable using SAiGE flat connector brackets and SAiGE screws provided.

- Leave a 4mm expansion gap between all perimeter joist

6. Connect main joists to perimeter joists using SAiGE angled connector brackets and SAiGE screws provided, ensuring correct spacing between main joists is maintained.

7. Insert joist supports/noggins as required to support frame - recommended every 1.8m along the joist. Connect to the main joists either side using SAiGE angled connector brackets and SAiGE screws provided.

- All joins where joists butt up next to each other must be supported by a cradle / pedestal

8. If downturns are required, cut vertical profiles to required length and connect to outer joist using SAiGE angled connector brackets and SAiGE screws provided.

- Connect the lower end of the vertical profiles onto the joist, or on the securely placed concrete blocks/pad stones, using SAiGE angled connector brackets
- To create steps in the deck area, line up the differing level deck areas, then create a downturn from the higher-level deck and connect onto the lower-level deck by using the joists in a cube effect and use SAiGE Angled connectors as applicable

9. Where double joists are required, ensure a minimum gap of 50mm is left between these joists when using cradles. These will need to be staggered along the double joists to enable adjustment of cradle to the desired level. Please note, if using pedestals then a 30mm gap is required, which, when clicking the 2 joists onto the top of the pedestal a 30mm gap is naturally left anyway -see diagrams on pages 2 & 9

10. Install decking in accordance with SAiGE Decking Installation guide, using SAiGE Decking clips / colour coded screws to fix the decking to the substructure.

**\*\*NB\*\* Please note dependent on temperature when installing decking boards will determine gap to leave where boards butt up next to each other – please see information in the SAiGE Decking Installation guide for more detail\*\***

**SAiGE**  
Composite Products